

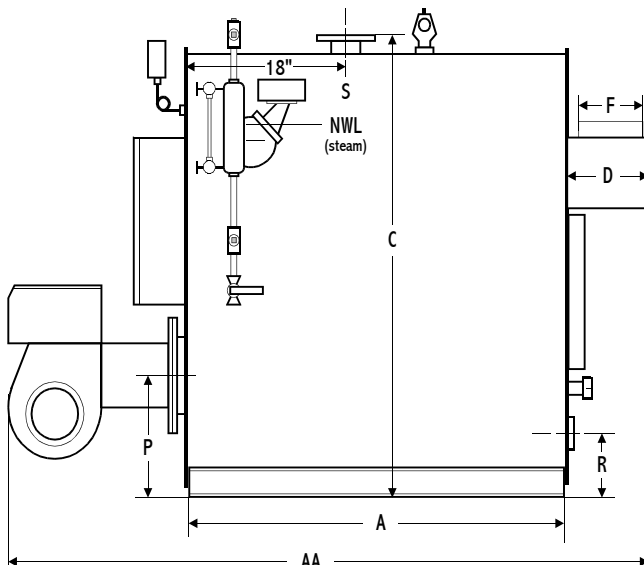
L.E.S. Series HF "Scotch Box" Boilers

3-Pass Firetube • 15# Steam / 30# Water • 83% Efficiency • 4 sq.ft. Waterside Heating Surface per BHP

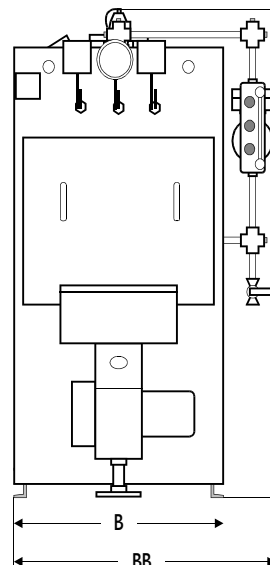
Ratings/Data/Dimensions

Model: HF-	580	800	1000	1250	1500	1800	2070	2250	2650	2760	3000	3350	3680	4040
Input														
Gas (MB/CF) CFH	695	960	1200	1505	1805	2165	2490	2710	3190	3325	3610	4035	4430	4865
Oil (140MB/Gal) GPH	5.0	6.9	8.6	10.8	12.9	15.5	17.8	19.4	22.8	23.8	25.8	28.8	31.6	34.8
Output														
MBH	580	800	1000	1250	1500	1800	2070	2250	2650	2760	3000	3350	3680	4040
Boiler Horsepower	17	24	30	37	45	54	62	67	79	82	90	100	110	120
Gas Burner Motor HP	.25	.33	.33	.33	.5	.5	1.0	1.0	2.0	2.0	3.0	3.0	3.0	5.0
Oil Burner Motor HP	.33	.5	.5	.75	1.0	1.0	1.5	1.5	2.0	2.0	3.0	3.0	5.0	5.0
SQ.FT. Heating Surface														
Primary	16.7	20.8	20.6	24.7	28.7	35.6	40.4	40.4	46.6	46.6	46.5	51.9	51.8	57.3
Total Fireside	62	86	109	134	163	200	242	242	286	298	325	376	386	424
Total Waterside	68	94	120	148	180	221	267	267	316	329	360	417	428	470
Boiler Data														
Furnace Vol. (CU.FT.)	4.5	6.1	6.1	7.7	9.3	13.6	15.8	15.8	20.3	20.3	20.3	23.2	23.2	26.0
Water Cap. (Gal; NWL)	89	116	108	135	160	206	237	237	282	278	270	306	303	344
Water Cap. (Gal; Full)	112	146	139	173	206	275	318	318	363	359	350	398	395	447
Dry Weight (LBS)	1350	1650	1750	2100	2425	3000	3450	3450	3925	3975	4075	4550	4600	4975
Dimensions in Inches														
A Skid Length	29	39	39	49	59	59	68	68	68	68	68	78	78	88
AA Overall Length	64	76	76	91	110	112	121	121	128	128	128	138	144	154
B Width	28	28	28	28	28	34	34	34	34	34	34	34	34	34
BB Trimmed Width (Std)	40	40	40	40	40	46	46	46	46	46	46	46	46	46
C Height	64	64	64	64	64	72	72	72	78	78	78	78	78	78
CC Trimmed Height	72	72	72	72	72	79	79	79	86	86	86	86	86	86
D Rear Smokebox Depth	10	12	12	12	12	14	14	14	16	16	16	16	16	16
F Flue Connection Size	6	8	8	8	8	10	10	10	12	12	12	12	12	12
Flue Connection Height	50	50	50	50	50	54	54	54	61	61	61	61	61	61
P Burner Port Height	18	18	18	18	18	20	20	20	20	20	20	20	20	20
Burner Port ID	9¼	9¼	9¼	9¼	9¼	12¼	12¼	12¼	14½	14½	14½	14½	14½	14½
R Return Size (NPT)	2	2	3	3	3	4	4	4	4	4	4	4	4	4
Return Height	8½	8½	8½	8½	8½	10½	10½	10½	10½	10½	10½	10½	10½	10½
S Supply Size (*=Flange)	3	3	4*	4*	4*	6*	6*	6*	6*	6*	6*	6*	8*	8*
Supply Height	64	64	64	64	64	72	72	72	78	78	78	78	78	78

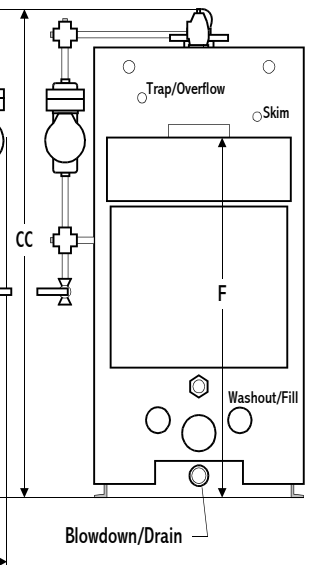
Side View



Front View



Rear View



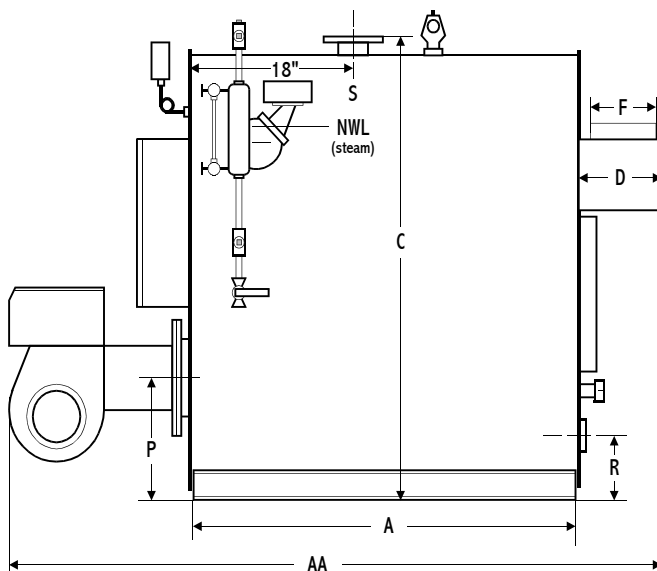
L.E.S. Series HF3 "Scotch Box" Boilers

3-Pass Firetube • 15# Steam / 30# Water • 83% Efficiency • 4 sq.ft. Fireside Heating Surface per BHP

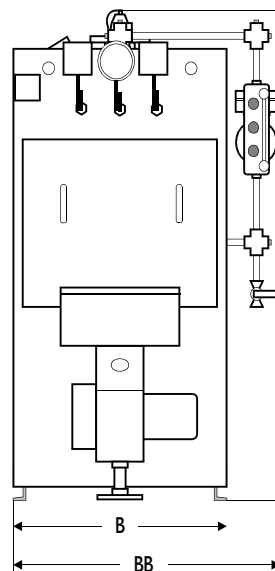
Ratings/Data/Dimensions

Model: HF3-	15	20	25	30	40	50	60	70	80	90	105
Input											
Gas (MB/CF) CFH	600	800	1000	1200	1610	2010	2410	2820	3220	3620	4240
Oil (140MB/Gal) GPH	4.3	5.7	7.1	8.6	11.5	14.4	17.2	20.1	23.0	25.9	30.3
Output											
MBH	500	670	835	1000	1340	1675	2010	2345	2680	3015	3520
Boiler Horsepower	15	20	25	30	40	50	60	70	80	90	105
Gas Burner Motor HP	.25	.33	.33	.33	.5	.75	1.0	1.0	2.0	3.0	3.0
Oil Burner Motor HP	.33	.33	.5	.5	.75	1.0	1.5	1.5	2.0	3.0	5.0
SQ.FT. Heating Surface											
Primary	16.7	20.8	20.6	24.7	28.7	35.6	40.4	46.6	46.5	51.9	57.3
Total Fireside	62	86	102	125	163	200	242	286	325	359	424
Total Waterside	68	94	111	137	180	221	267	316	360	397	470
Boiler Data											
Furnace Vol. (CU.FT.)	4.5	6.1	6.1	7.7	9.3	13.6	15.8	20.3	20.3	23.2	26.0
Water Cap. (Gal; NWL)	89	116	111	138	160	206	237	282	270	312	344
Water Cap. (Gal; Full)	112	146	141	176	206	275	318	363	350	404	447
Dry Weight (LBS)	1350	1650	1725	2075	2425	3000	3450	3925	4075	4500	4975
Dimensions in Inches											
A Skid Length	29	39	39	49	59	59	68	68	68	78	88
AA Overall Length	64	76	76	86	96	112	121	123	128	138	154
B Width	28	28	28	28	28	34	34	34	34	34	34
BB Trimmed Width (Std)	40	40	40	40	40	46	46	46	46	46	46
C Height	64	64	64	64	64	72	72	78	78	78	78
CC Trimmed Height	72	72	72	72	72	79	79	86	86	86	86
D Rear Smokebox Depth	10	12	12	12	12	14	14	16	16	16	16
F Flue Connection Size	6	8	8	8	8	10	10	12	12	12	12
Flue Connection Height	50	50	50	50	50	54	54	61	61	61	61
P Burner Port Height	18	18	18	18	18	20	20	20	20	20	20
Burner Port ID	9¼	9¼	9¼	9¼	9¼	12¼	12¼	14½	14½	14½	14½
R Return Size (NPT)	2	2	3	3	3	4	4	4	4	4	4
Return Height	8½	8½	8½	8½	8½	10½	10½	10½	10½	10½	10½
S Supply Size (*=Flange)	3	3	3	4*	4*	6*	6*	6*	6*	6*	8*
Supply Height	64	64	64	64	64	72	72	78	78	78	78

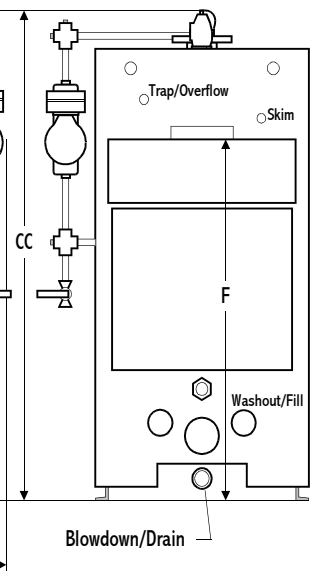
Side View



Front View



Rear View



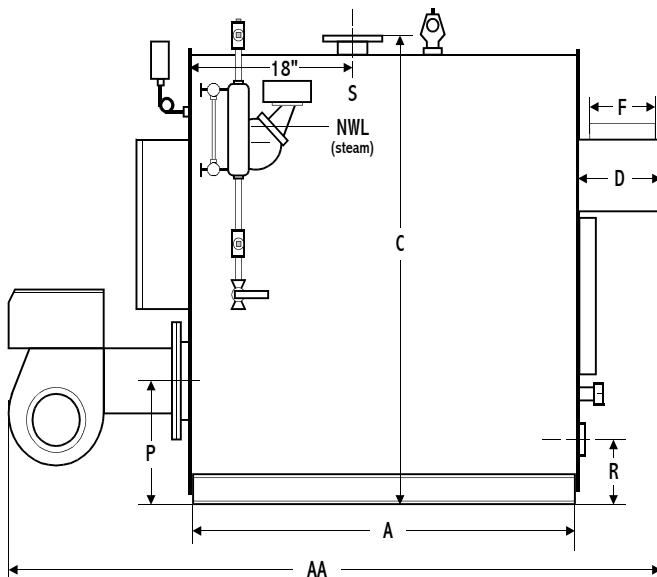
L.E.S. Series HF5 "Scotch Box" Boilers

3-Pass Firetube • 15# Steam / 30# Water • 83% Efficiency • 5 sq.ft. Fireside Heating Surface per BHP

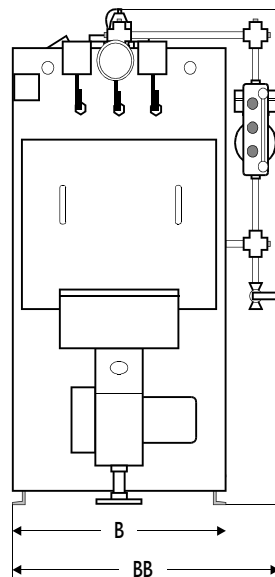
Ratings/Data/Dimensions

Model: HF5-	12	16	20	25	32	40	50	60	65	75	85
Input											
Gas (MB/CF) CFH	480	645	800	1000	1290	1610	2010	2410	2610	3020	3430
Oil (140MB/Gal) GPH	3.4	4.6	5.7	7.1	9.2	11.5	14.4	17.2	18.6	21.6	24.5
Output											
MBH	400	535	670	835	1070	1340	1675	2010	2175	2510	2785
Boiler Horsepower	12	16	20	25	32	40	50	60	65	75	85
Gas Burner Motor HP	.25	.25	.33	.33	.33	.33	.75	1.0	2.0	2.0	3.0
Oil Burner Motor HP	.33	.33	.33	.5	.5	.75	1.0	1.5	2.0	2.0	3.0
SQ.FT. Heating Surface											
Primary	16.7	20.8	20.6	24.7	28.7	35.6	40.4	46.6	46.5	51.9	57.3
Total Fireside	62	86	102	125	163	200	249	298	325	376	424
Total Waterside	68	94	111	137	180	221	275	329	360	417	470
Boiler Data											
Furnace Vol. (CU.FT.)	4.5	6.1	6.1	7.7	9.3	13.6	15.8	20.3	20.3	23.2	26.0
Water Cap. (Gal; NWL)	89	116	111	138	160	206	326	278	270	306	344
Water Cap. (Gal; Full)	112	146	141	176	206	275	407	359	350	398	447
Dry Weight (LBS)	1350	1650	1725	2075	2425	3000	3500	3975	4075	4550	4975
Dimensions in Inches											
A Skid Length	29	39	39	49	59	59	68	68	68	78	88
AA Overall Length	64	76	76	86	101	103	121	123	123	133	148
B Width	28	28	28	28	28	34	34	34	34	34	34
BB Trimmed Width (Std)	40	40	40	40	40	46	46	46	46	46	46
C Height	64	64	64	64	64	72	72	78	78	78	78
CC Trimmed Height	72	72	72	72	72	79	79	86	86	86	86
D Rear Smokebox Depth	10	12	12	12	12	14	14	16	16	16	16
F Flue Connection Size	6	8	8	8	8	10	10	12	12	12	12
Flue Connection Height	50	50	50	50	50	54	54	61	61	61	61
P Burner Port Height	18	18	18	18	18	20	20	20	20	20	20
Burner Port ID	9¼	9¼	9¼	9¼	9¼	12¼	12¼	14½	14½	14½	14½
R Return Size (NPT)	2	2	3	3	3	4	4	4	4	4	4
Return Height	8½	8½	8½	8½	8½	10½	10½	10½	10½	10½	10½
S Supply Size (*=Flange)	3	3	3	4*	4*	6*	6*	6*	6*	6*	8*
Supply Height	64	64	64	64	64	72	72	78	78	78	78

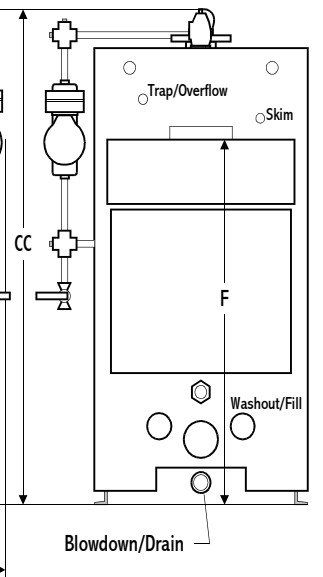
Side View



Front View



Rear View



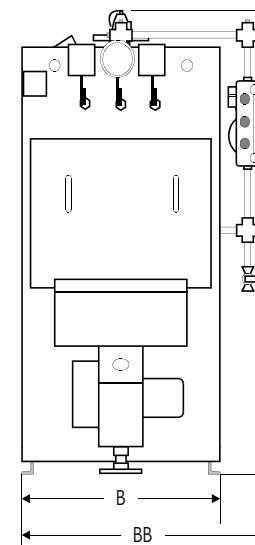
L.E.S. Series HFC "Scotch Box" Multi-function Boilers

3-Pass Firetube Boilers with Integral Finned Copper Heat Exchangers • 15# Steam or 30# Water Direct • 125# Water Indirect • 83% Efficiency

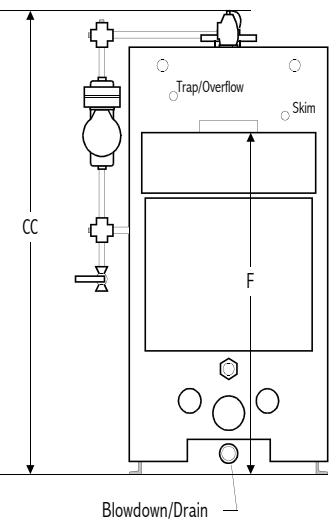
Ratings/Data/Dimensions

Model: HFC-	580	800	1000	1200	1500	1800	2300	2760	3000	3350
Input										
Gas (MB/CF) CFH	695	960	1200	1440	1805	2165	2770	3325	3610	4035
Oil (140MB/Gal) GPH	5.0	6.9	8.6	10.3	12.9	15.5	19.8	23.8	25.8	28.8
Output										
MBH	580	800	1000	1200	1500	1800	2300	2760	3000	3350
Boiler Horsepower	17.3	23.9	29.9	35.8	44.8	53.8	68.7	82.4	89.6	100.1
Gas Burner Motor HP	.25	.33	.33	.33	.5	1.0	1.0	2.0	3.0	3.0
Oil Burner Motor HP	.33	.33	.5	.75	1.0	1.5	1.5	2.0	3.0	3.0
Sq.Ft. Heating Surface										
Primary	16.4	20.5	24.5	28.5	33.8	38.5	44.2	49.6	49.5	49.4
Total Fireside	64	86	107	127	167	199	249	299	324	348
Total Waterside	69	94	117	140	184	219	274	331	359	386
Boiler Data										
Furnace Vol. (CU.FT.)	4.5	6.1	7.7	9.3	12.8	15.1	19.3	22.2	22.2	22.2
Water Cap. (Gal; NWL)	87	114	142	170	220	254	298	335	327	320
Water Cap. (Gal; Full)	110	145	180	215	289	335	378	427	420	412
Dry Weight (LBS)	1450	1700	2325	2500	3000	3375	3700	3950	4125	4275
Max. Heat Exchanger Data									3-run Coils Only	
Model #	H4S-14	H4M-18	H4M-21	H4L-24	H4L-27.5	H4L2-14	H4L-32	H4L2-16	H3L2-16	H3L2-16
Heating Surface (sq.ft.)	39.4	50.6	59.1	67.5	77.3	78.7	90.0	90.0	67.5	67.5
Cv (gpm @ 1psi drop)	9.8	8.1	7.3	6.7	6.5	18.8	6.3	18.2	14.3	14.3
MBH @ 50°F Inlet	435	560	650	750	860	860	1000	1000	750	750
DHW GPH (50° to 150°F)	525	675	800	900	1050	1050	1200	1200	900	900
Dimensions in Inches										
A Skid Length	29	39	49	59	59	68	68	78	78	78
AA Overall Length	64	76	86	101	112	121	128	138	138	138
B Width	28	28	28	28	34	34	34	34	34	34
BB Trimmed Width (Std)	40	40	40	40	46	46	46	46	46	46
C Height	64	64	64	64	72	72	78	78	78	78
CC Trimmed Height	72	72	72	72	79	79	86	86	86	86
D Rear Smokebox Depth	10	12	12	12	14	14	16	16	16	16
F Flue Connection Size	6	8	8	8	10	10	12	12	12	12
Flue Connection Height	50	50	50	50	54	54	61	61	61	61
P Burner Port Height	18	18	18	18	20	20	20	20	20	20
Burner Port ID	9¼	9¼	9¼	9¼	12¼	12¼	14½	14½	14½	14½
R Return Size (NPT)	2	2	3	3	4	4	4	4	4	4
Return Height	8½	8½	8½	8½	10½	10½	10½	10½	10½	10½
S Supply Size (*=Flange)	3	3	4*	4*	6*	6*	6*	6*	6*	6*
Supply Height	64	64	64	64	72	72	78	78	78	78

Front View



Rear View



Side View

