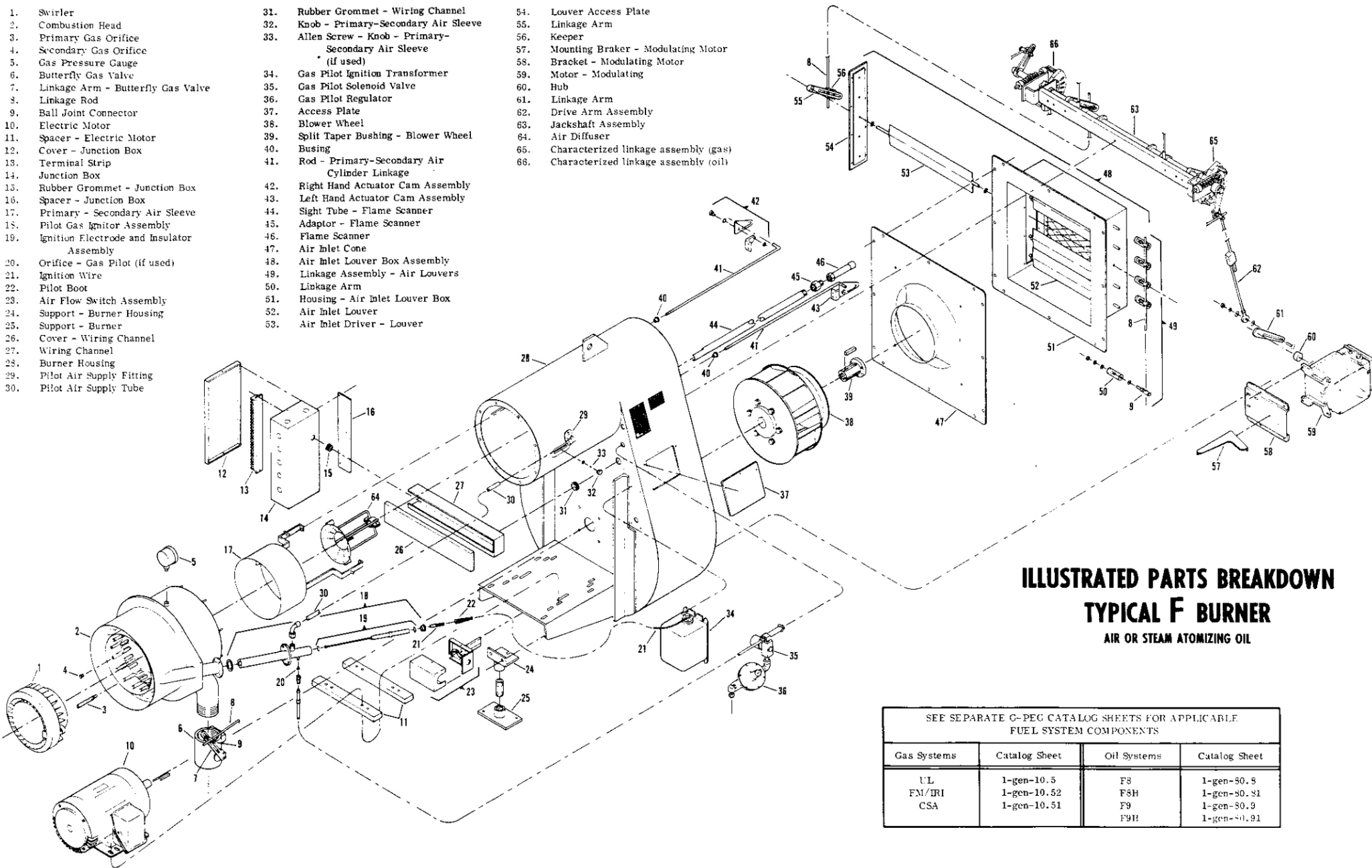


## LEGEND

- |   |  |  |
|---|--|--|
| <ol style="list-style-type: none"> <li>1. Swirler</li> <li>2. Combustion Head</li> <li>3. Primary Gas Orifice</li> <li>4. Secondary Gas Orifice</li> <li>5. Gas Pressure Gauge</li> <li>6. Butterfly Gas Valve</li> <li>7. Linkage Arm - Butterfly Gas Valve</li> <li>8. Linkage Rod</li> <li>9. Ball Joint Connector</li> <li>10. Electric Motor</li> <li>11. Spacer - Electric Motor</li> <li>12. Cover - Junction Box</li> <li>13. Terminal Strip</li> <li>14. Junction Box</li> <li>15. Rubber Grommet - Junction Box</li> <li>16. Spacer - Junction Box</li> <li>17. Primary - Secondary Air Sleeve</li> <li>18. Pilot Gas Ignitor Assembly</li> <li>19. Ignition Electrode and Insulator Assembly</li> <li>20. Orifice - Gas Pilot (if used)</li> <li>21. Ignition Wire</li> <li>22. Pilot Boot</li> <li>23. Air Flow Switch Assembly</li> <li>24. Support - Burner Housing</li> <li>25. Support - Burner</li> <li>26. Cover - Wiring Channel</li> <li>27. Wiring Channel</li> <li>28. Burner Housing</li> <li>29. Pilot Air Supply Fitting</li> <li>30. Pilot Air Supply Tube</li> </ol> | <ol style="list-style-type: none"> <li>31. Rubber Grommet - Wiring Channel</li> <li>32. Knob - Primary-Secondary Air Sleeve</li> <li>33. Allen Screw - Knob - Primary-Secondary Air Sleeve (if used)</li> <li>34. Gas Pilot Ignition Transformer</li> <li>35. Gas Pilot Solenoid Valve</li> <li>36. Gas Pilot Regulator</li> <li>37. Access Plate</li> <li>38. Blower Wheel</li> <li>39. Split Taper Bushing - Blower Wheel</li> <li>40. Busing</li> <li>41. Rod - Primary-Secondary Air Cylinder Linkage</li> <li>42. Right Hand Actuator Cam Assembly</li> <li>43. Left Hand Actuator Cam Assembly</li> <li>44. Sight Tube - Flame Scanner</li> <li>45. Adaptor - Flame Scanner</li> <li>46. Flame Scanner</li> <li>47. Air Inlet Cone</li> <li>48. Air Inlet Louver Box Assembly</li> <li>49. Linkage Assembly - Air Louvers</li> <li>50. Linkage Arm</li> <li>51. Housing - Air Inlet Louver Box</li> <li>52. Air Inlet Louver</li> <li>53. Air Inlet Driver - Louver</li> </ol> | <ol style="list-style-type: none"> <li>54. Louver Access Plate</li> <li>55. Linkage Arm</li> <li>56. Keeper</li> <li>57. Mounting Braker - Modulating Motor</li> <li>58. Bracket - Modulating Motor</li> <li>59. Motor - Modulating</li> <li>60. Hub</li> <li>61. Linkage Arm</li> <li>62. Drive Arm Assembly</li> <li>63. Jackshaft Assembly</li> <li>64. Air Diffuser</li> <li>65. Characterized linkage assembly (gas)</li> <li>66. Characterized linkage assembly (oil)</li> </ol> |
|---|--|--|



## ILLUSTRATED PARTS BREAKDOWN TYPICAL F BURNER AIR OR STEAM ATOMIZING OIL

SEE SEPARATE G-PEG CATALOG SHEETS FOR APPLICABLE  
FUEL SYSTEM COMPONENTS

Gas Systems	Catalog Sheet	Oil Systems	Catalog Sheet
UL	1-gen-10.5	F8	1-gen-50.8
FM/IRI	1-gen-10.52	F8H	1-gen-50.81
CSA	1-gen-10.51	F9	1-gen-50.9
		F9H	1-gen-50.91